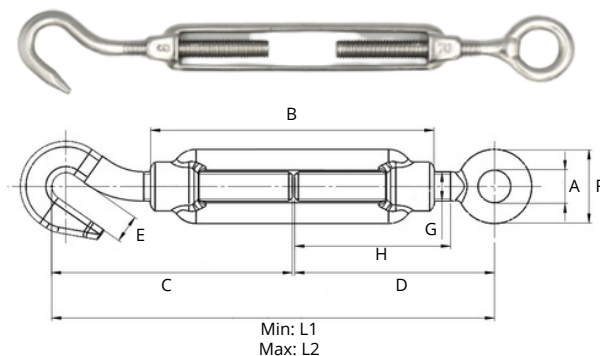


## STRAINING SCREW HOOK/EYE



Art number	G	L1	L2	D	C	E	B	H	A	F	Weight
	(mm)	(mm)	(mm)	(mm)	(mm)	(mm)	(mm)	(mm)	(mm)	(mm)	(kg/pc)
4047060	M6	147	233	70	77	8	110	55	9	20	0,09
4047080	M8	157	239	74	85	10	110	57	10	22	0,15
4047100	M10	196	285	90	106	12	125	68	14	31	0,21
4047120	M12	211	294	94	117	15	125	70	16	35	0,34
4047140	M14	228	318	104	124	19	140	75	18	40	0,50
4047160	M16	270	386	126	144	19	170	88	22	47	0,93
4047180	M20	312	444	142	170	20	200	105	24	52	1,38
4047200	M22	342	488	142	200	26	220	105	28	60	1,42



## Guidance on Dimensions:

Please note that the dimensions provided in this catalog are approximate. For precise measurements or tailored solutions, feel free to reach out to our customer service.